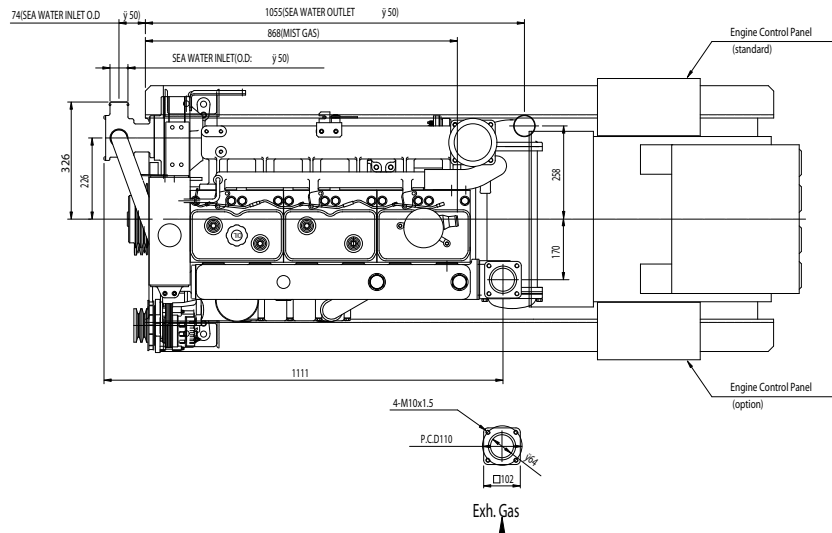
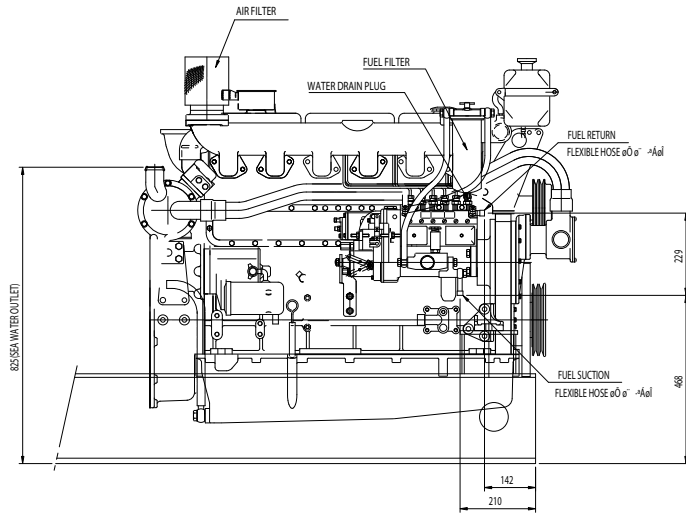
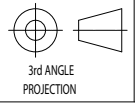
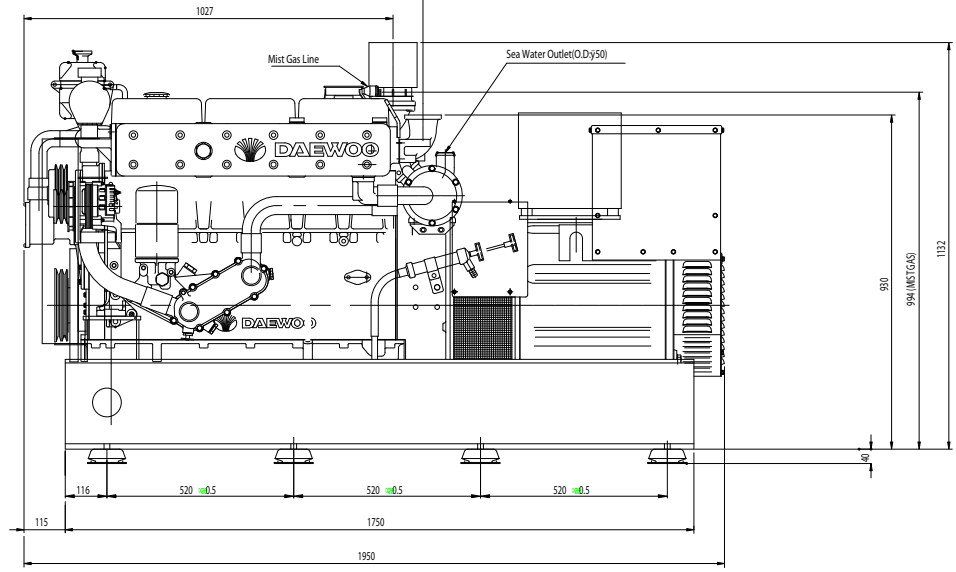
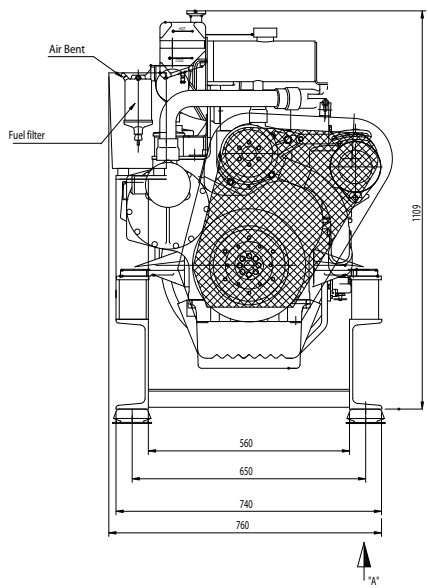
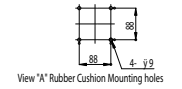


MARK	ISSUE NO.	DESCRIPTION	DATE	DRWN	DSND	CHKD	APPD
------	-----------	-------------	------	------	------	------	------



CONTINUOUS RATING

Hz	60Hz	50Hz
KVA	100	85
KW	80	68



WATERMOTA LTD
 CAVALIER ROAD HEATHFIELD INDUSTRIAL ESTATE
 NEWTON ABBOT, DEVON, TQ12 6TQ
 01626 830910

DRAWN BY	DESIGNED BY
CHECKED BY	APPROVED BY

MODEL	PNJ
TITLE	MARINE GEN. SET ASS'Y (AD136+eco34)

DRAWING NO.	68.00508-7049
W.T	SCALE
	1/15

ALL DIMENSIONS IN MILLIMETRES UNLESS OTHERWISE STATED